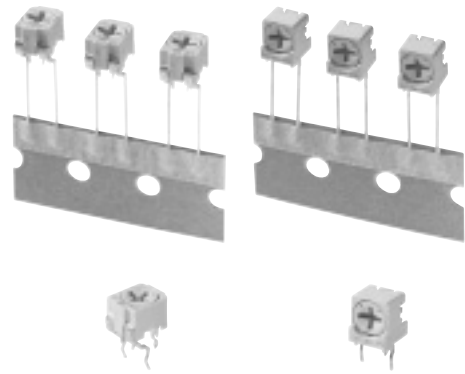


6 mm Square Dustproof Ceramic Trimmer Potentiometers  
(Cermet, Radial Taping, with Knob Protection)



Type: **EVMEAS/EVMEGS/EVMEES**  
**(Radial Taping)**  
**EVMEAG/EVMEGG/EVMEEG**  
**(Bulk)**

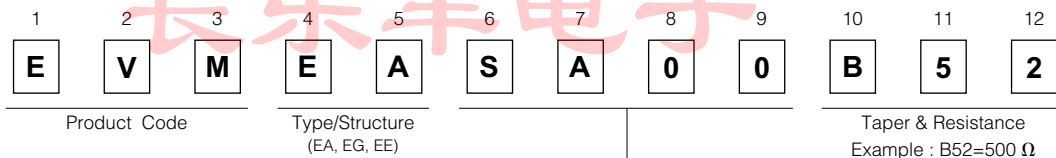
### ■ Features

- High reliability due to cermet element
- No readjustment needed through knob protected structure
- Excellent mounting efficiency due to cubic shape
- Automated adjustment available  
Face side: Standard cross slot screwdriver suited to automatic adjustment applicable  
Back side: Penetrated slot for easy driving
- Conforms to JIS C5260-1:1999

### ■ Recommended Applications

- Audio/visual, office, and communication equipment
- General electronic equipment

### ■ Explanation of Part Numbers



Symbol	Packaging
SA00	Radial taping height 20 mm
SA01	Radial taping height 21 mm
GA00	Bulk Standard

\*For part number details, refer to page ER151.

### ■ Specifications

	EVMEAS□/EVMEGS□	EVMEES□ (Low Resistor Value)
Total Resistance Value	100 Ω to 1 MΩ	10 Ω to 500 Ω
Resistance Tolerance	±25 %	
Power Rating	0.3 W	0.5 W
Maximum Operating Voltage	100 V	$\sqrt{P \cdot R}$
Rotation Torque	2 to 30 mN·m	
Stopper Strength	50 mN·m min.	
Temperature Coefficient of Resistance	$\pm 200 \times 10^{-6}/^{\circ}\text{C}$	<ul style="list-style-type: none"> <li>· <math>10 \Omega \leq R \leq 20 \Omega</math> ..... <math>\pm 200 \times 10^{-6}/^{\circ}\text{C}</math></li> <li>· <math>20 \Omega &lt; R \leq 200 \Omega</math> ..... <math>\pm 150 \times 10^{-6}/^{\circ}\text{C}</math></li> <li>· <math>200 \Omega &lt; R \leq 500 \Omega</math> ..... <math>\pm 100 \times 10^{-6}/^{\circ}\text{C}</math></li> </ul>

### ■ Minimum Quantity/Packing Unit

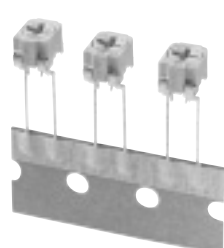
Part Number	Radial taping		Bulk	
	Quantity per Box	Packaging quantity	Quantity per pack	Packaging quantity
EVMEAS EVMEGS EVMEES	1000	10000	—	—
EVMEAG EVMEGG	—	—	200	2000
EVMEEG	—	—	1000	3000

■ Dimensions in mm (not to scale)

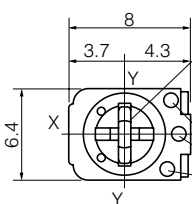
● Radial tapering

● 3-terminal, Top-adjust, Cross/Ordinary Slots ..... EVMEAS/EVMEES

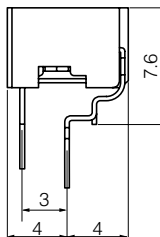
**No. 1**

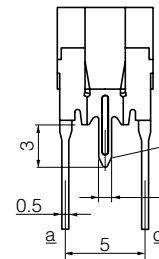


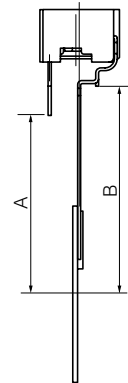
Driver Slot  
X-X Y-Y  
width 0.9 0.9  
length 3.8 4.2  
depth 1.2 1.7

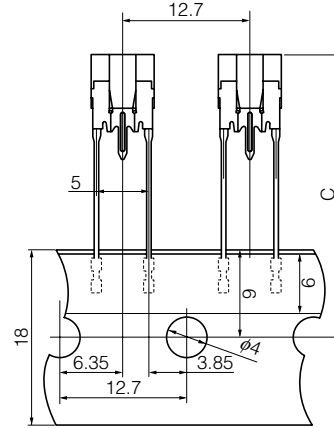


Marking

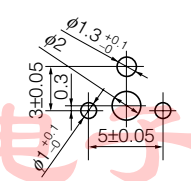




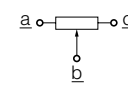




	A	B	C
A00	17	20	27.6
A01	18	21	28.6



(Recommended PWB Piercing Plan)



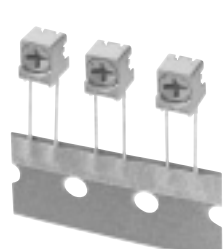
(Circuit diagram)

Mass (Weight) : 590 mg/pc.

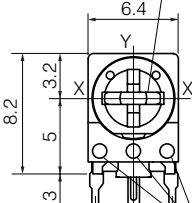
● 3-terminal, Side-adjust, Cross/Ordinary Slots ..... EVMEGS

**No. 2**

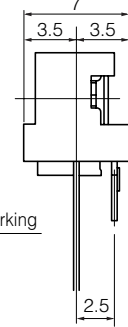
0755-83281866

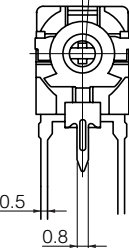


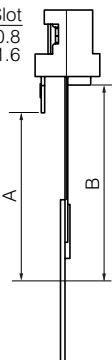
Driver Slot  
Y-Y X-X  
width 0.9 0.9  
length 3.8 4.2  
depth 1.2 1.7

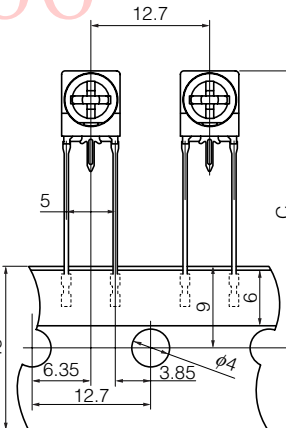


Marking

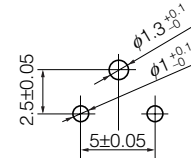




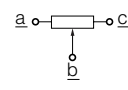




	A	B	C
A00	17	20	28.2
A01	18	21	29.2



(Recommended PWB Piercing Plan)



(Circuit diagram)


Mass (Weight) : 570 mg/pc.

■ Dimensions in mm (not to scale)

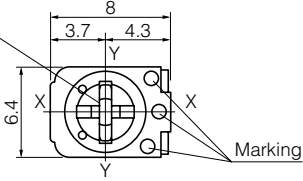
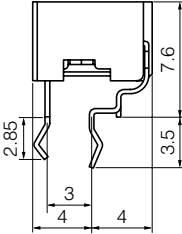
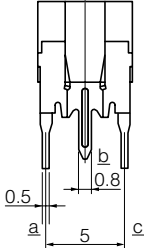
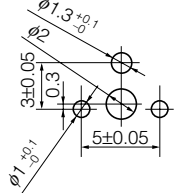
● Bulk

● 3-terminal, Top-adjust, Cross/Ordinary Slots ..... EVMEAG/EVMEEG

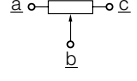
**No. 3**



Driver Slot  
 X-X Y-Y  
 width 0.9 0.9  
 length 3.8 4.2  
 depth 1.2 1.7

(Recommended PWB Piercing Plan)




(Circuit diagram)

Driver Slot  
 width 0.8  
 length 1.6

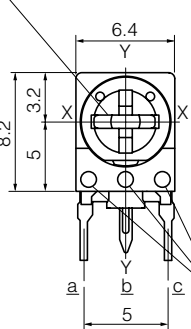
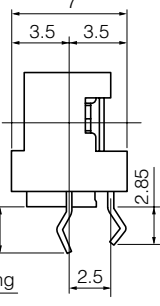
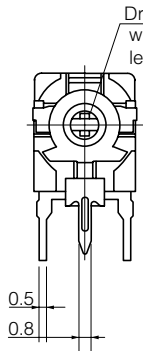
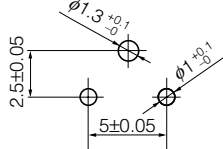
Mass (Weight) : 590 mg/pc.

● 3-terminal, Side-adjust, Cross/Ordinary Slots ..... EVMEGG

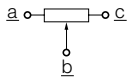
**No. 4**



Driver Slot  
 Y-Y X-X  
 width 0.9 0.9  
 length 3.8 4.2  
 depth 1.2 1.7

(Recommended PWB Piercing Plan)



(Circuit diagram)

Mass (Weight) : 570 mg/pc.

### ■ Explanation of Part Numbers



长乐丰电子

0755-83281366

