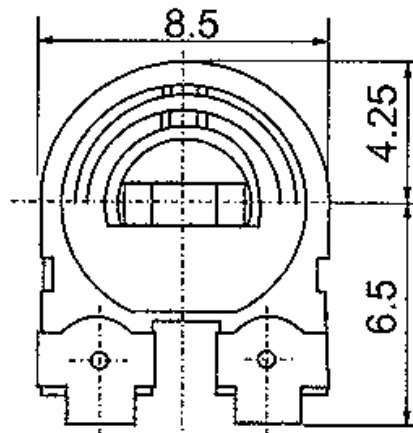
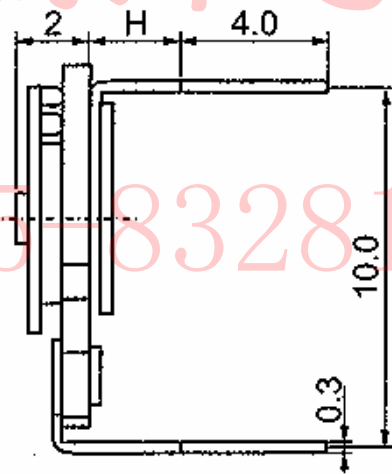


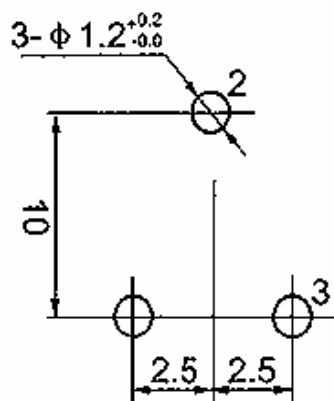
● SR085外形与安装



长乐丰电子



0755-83281866



## MECHANICAL CHARACTERISTIC 机械特性

TOTAL ROTATIONAL ANGLE 旋转角度	230 ° ± 10 °
ROTATIONAL TORQUE 旋转力矩	60-300gf.cm
STOPPER STRENGTH 止挡强度	1Kgf.cm

## ELECTRICAL CHARACTERISTIC 电气特性

TOTAL RESISTANCE RANGE 总阻值	100 -2M
TOTAL RESISTANCE TOLERANCE 电阻误差	500 < R < 1M : ± 20% , OTHER : ± 30%
RESISTANCE TAPER 电阻特性曲线	LINEAR ( B )
POWER RATING ( 70 ) 额定功率	0.1W
MAX.OPERATING VOLTAGE 最大工作电压	100 VDC
ROTATIONAL NOISE 旋转杂音	100MV
RESIDUAL RESISTANCE 残留电阻	1%OR 100 MAX

## ENDURANCE 耐久性能

TOTATION LIFE 旋转寿命	100CYCIES R < 10%R
TEMPERATURE CHARACTERISTIC 耐温特性	20 -70 R < ± 8%R
MOISTURE CHARACTERISTIC 耐湿特性	40 95% 5 HOURS ( R/R ) R ± 15%
LOAD CHARACTERISTIC 负载特性	40 95% 5 HOURS ( R/R ) R ± 15%
SOLDERING HEAT CHARACTERIDTIC 焊锡特性	sodering should be carried out within 3 seconds at a temperature of 270 max